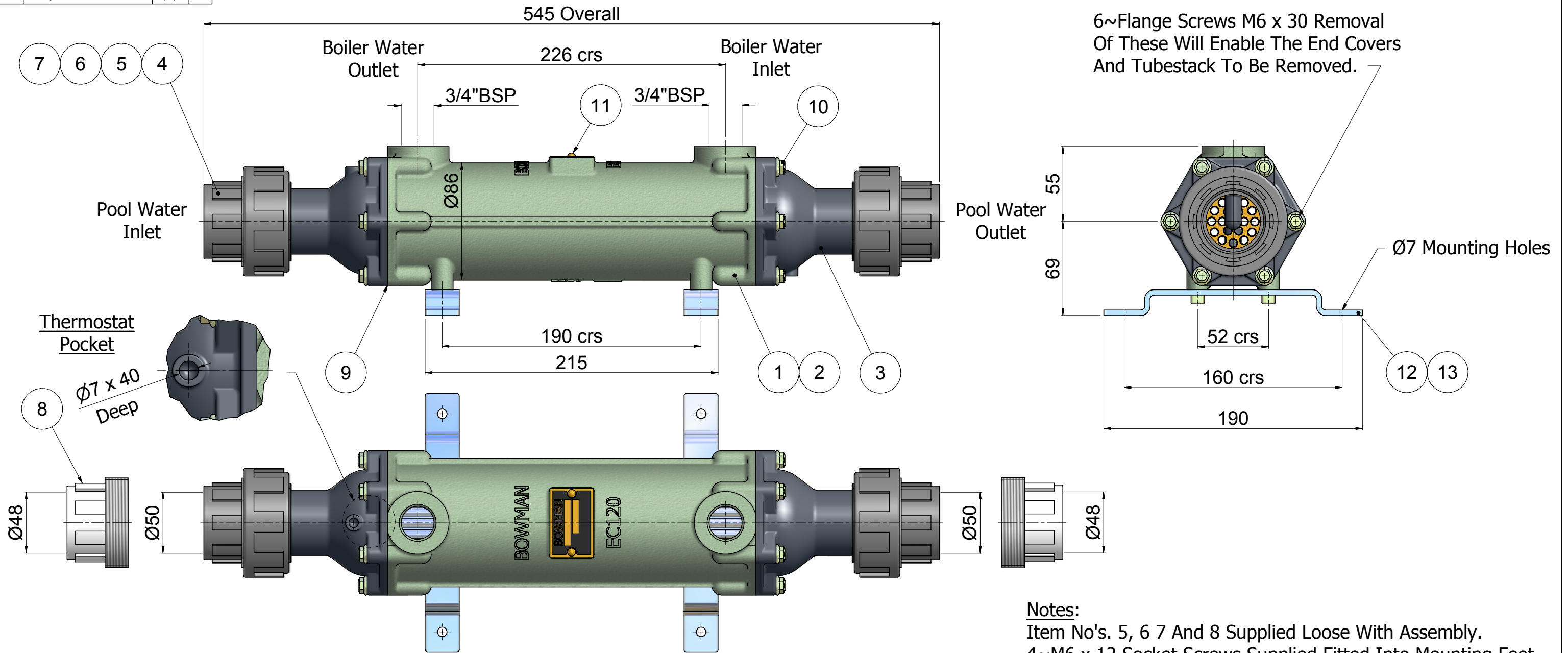
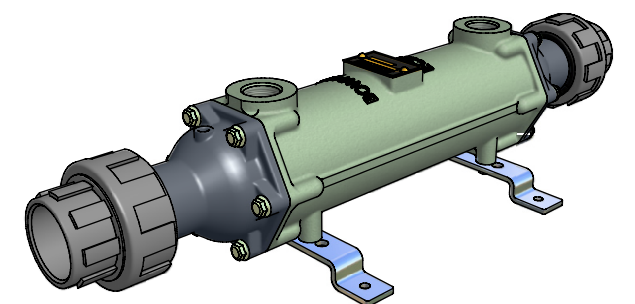
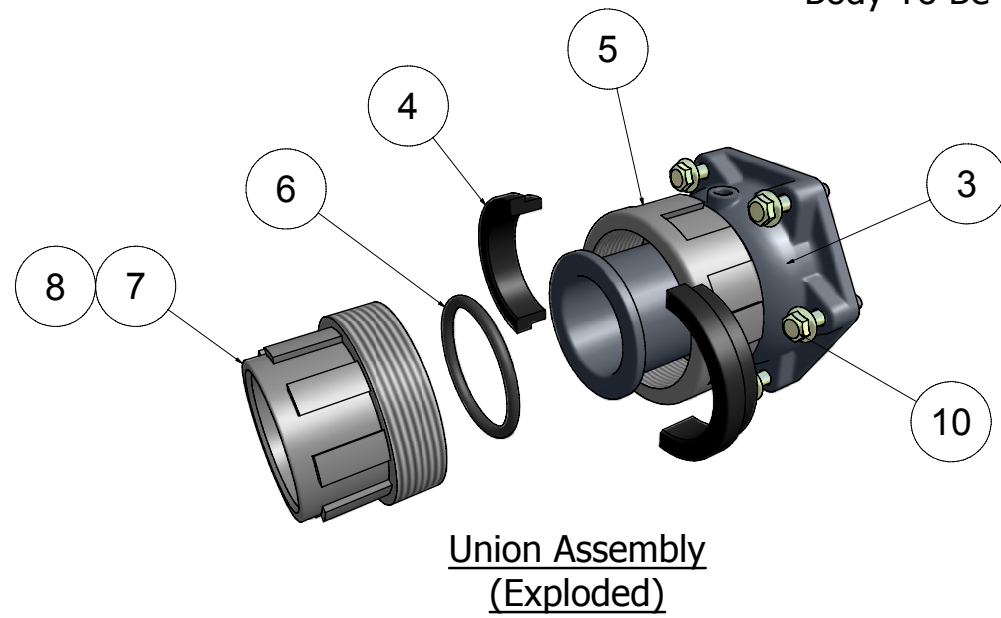


ISS No	MODIFICATION	DATE	SIGN
2	Body Patt No EC71 Was Body Patt No EC20, Bush Assembly Added	12/03/08	D.S.
3	Flange Screws Were Socket Screws	13/08/08	D.S.

THIS DRAWING IS STRICTLY PRIVATE AND CONFIDENTIAL AND IS THE SOLE PROPERTY OF E.J. BOWMAN (BIRMINGHAM) LTD. IT IS SUBJECT TO BOTH COPYRIGHT AND DESIGN RIGHT PROTECTION. ANY REPRODUCTION OF THIS DRAWING IN PART OR WHOLE SHALL BE MADE ONLY WITH THE WRITTEN CONSENT OF A DIRECTOR OF THE ABOVE COMPANY.



	M6 x 12	4	Socket Screws	13	MS
	4154	2	Mounting Feet	12	SS
	3594	1	Nameplate	11	Brass
	M6 x 30	12	Flange Screws	10	MS
	AN12	2	Seals	9	Nitrile
		2	Union Bush (BS)	8	GFN
	5134	2	Union Bush (Metric)	7	GFN
		2	Union Seals	6	EPDM
		2	Union Nuts	5	GFN
	4571	4	Split Rings	4	GFN
	4567	2	End Covers	3	GFN
	5088-3TN2P	1	Tubestack EC120	2	CN10
EC71	4568-3	1	Body EC120	1	CI
Part No.	Drq No.	Qty	Description	Item	Material



ALL DIMENSIONS ARE IN MILLIMETRES

E.J. BOWMAN (BIRMINGHAM) LTD.
 Chester Street Birmingham B6 4AP England
 Tel: +44(0) 121 359 5401 Fax: +44(0) 121 359 7495
 email: info@ejbowman.co.uk www.ejbowman.co.uk

DRAWN:	D.Sargeant	TITLE:	EC Swimming Pool Heat Exchanger
DATE:	06/12/2007	DRG No:	5113-3
REDRAWN:			
DATE:			
CHECKED:			
SCALE:	1:1		